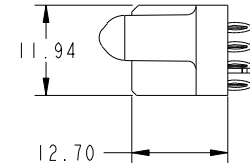
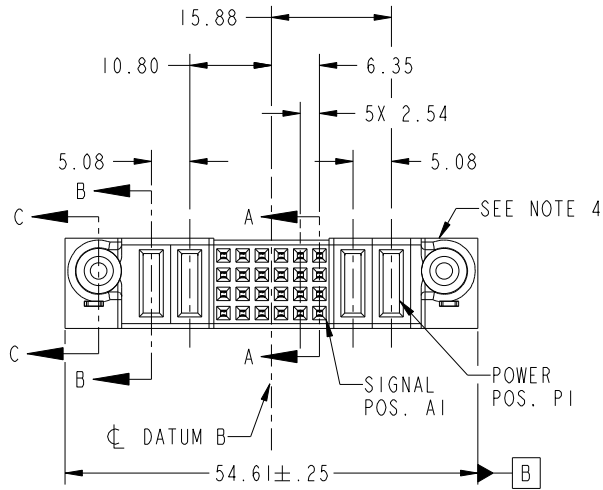


Tous droits strictement réservés. Reproduction ou communication a des tiers interdite sous quelque forme que ce soit sans autorisation écrite du propriétaire. Propriété de c.FCI. Droits de reproduction FCI.

All rights strictly reserved. Reproduction or issue to third parties in any form whatever is not permitted without written authority from the proprietor. Property of FCI. Copyright FCI.



PRODUCT NO. 51940-075-- NOTE: 3	ROWS D C B A	POWER		SIGNAL						POWER			
		E2	P4	P3	6	5	4	3	2	1	P2	P1	E1



CODE	DIM "M" MATING LENGTH	CONTACT TYPE
F	[N/A]	SIGNAL
PC	[1.07]	POWER
HA	[N/A]	HOLD-DOWN

mat'l code				SEE NOTE		tolerances unless otherwise specified		CUSTOMER		 www.fciconnect.com	
lir	ecn no.	dr	date	linear	0.X ± 0.5		COPY		title		
A	V04-0134	DAI	02/13/04		0.XX ± 0.25		projection		2P + 24S + 2P		
B	DG05-0182	SJ	06/23/05		0.XXX ± 0.10				VERTICAL PRESS FIT RECEPTACLE		
C	DG07-0498	JW	09/13/08	angles	0° ± 2°				product family		code
				dr	D. INGRAM	02/13/04	MM		PwrBlade		213
				enrg	M. GRAY	02/13/04	1:1		size		sheet
				chr	M. GRAY	02/13/04			dwg no		1 of 4
				appd	M. GRAY	02/13/04			A		51940-075
sheet index	revision sheet	C	C	C	C	C					
		1	2	3	4						

A

A

B

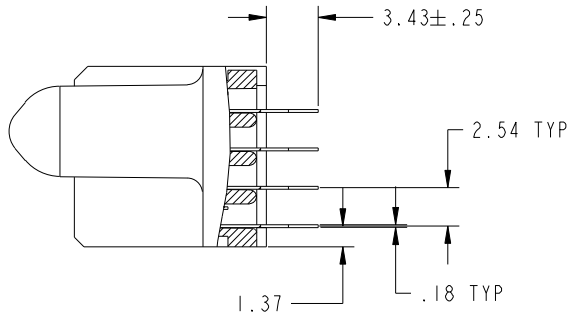
B

Tous droits strictement reserves. Reproduction ou communication a des tiers interdite sous quelque forme que ce soit sans autorisation ecrite du proprietaire. Propriete de c.FCI. Droits de reproduction FCI.

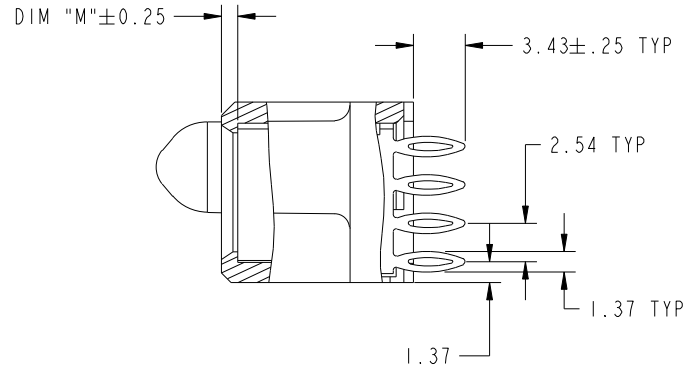
All rights strictly reserved. Reproduction or issue to third parties in any form whatever is not permitted without written authority from the proprietor. Property of FCI. Copyright FCI.



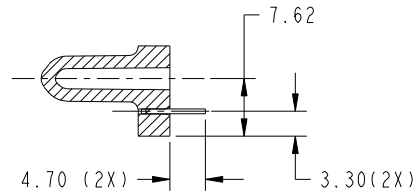
PRODUCT NUMBER  
51940-075--  
NOTE: 3



SECTION A-A  
SCALE 2:1



SECTION B-B  
SCALE 2:1



SECTION C-C

mat'l code		SEE NOTE		tolerances unless otherwise specified		CUSTOMER		 www.fciconnect.com	
lir	ecn no.	dr	date	linear	0.X ± 0.5	COPY		title	
C					0.XX ± 0.25	projection		2P + 24S + 2P	
				angles	0.XXX ± 0.10			VERTICAL PRESS FIT RECEPTACLE	
				dr	0° ± 2°			product family	
				enrg	D. INGRAM 02/13/04	MM		PwrBlade	
				chr	M. GRAY 02/13/04	1:1		code	
				appd	M. GRAY 02/13/04			213	
sheet index	revision sheet							size	
								A 51940-075	
								sheet	
								2	
								cage code	
								22526	

A

A

B

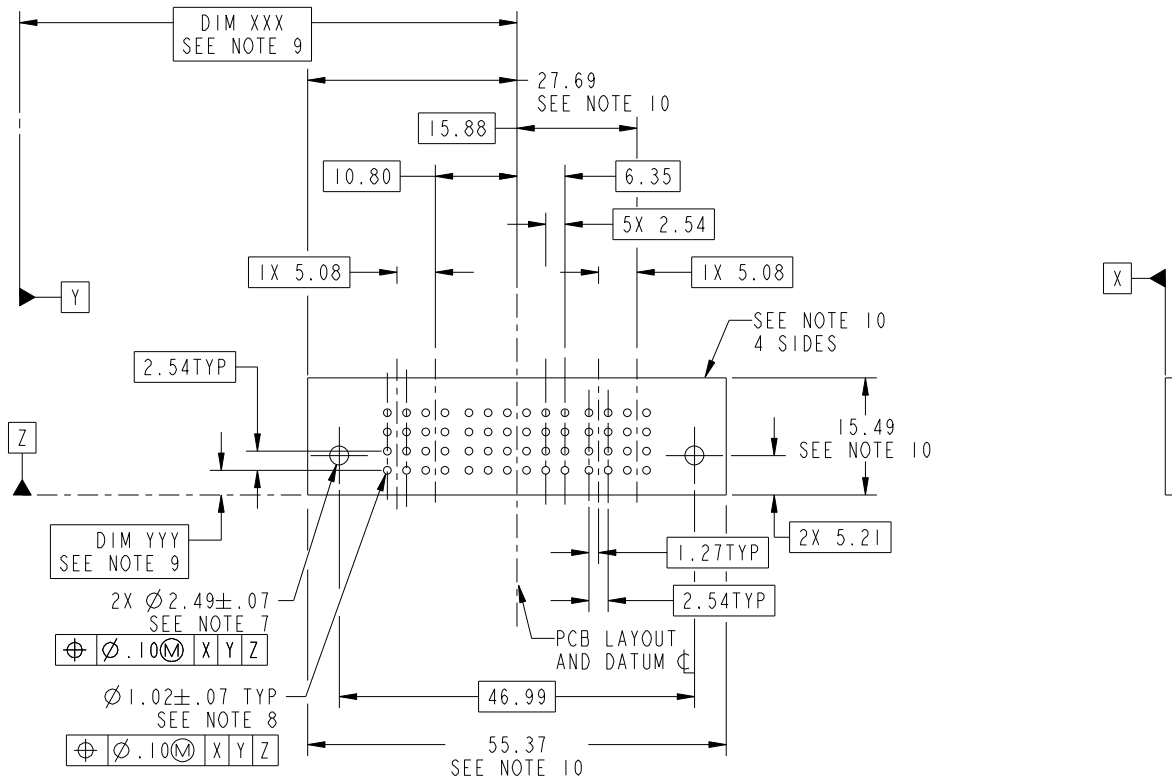
B

Tous droits strictement réservés. Reproduction ou communication a des tiers interdite sous quelque forme que ce soit sans autorisation écrite du propriétaire. Propriété de c.FCI. Droits de reproduction FCI.

All rights strictly reserved. Reproduction or issue to third parties in any form whatever is not permitted without written authority from the proprietor. Property of FCI. Copyright FCI.



PRODUCT NUMBER  
51940-075--  
NOTE: 3



mat'l code		SEE NOTE		tolerances unless otherwise specified		CUSTOMER		 www.fciconnect.com	
lir	ecn no.	dr	date	linear	0.X ± 0.5	COPY		title	
C				linear	0.XX ± 0.25	projection		2P + 24S + 2P	
				angles	0.XXX ± 0.10			VERTICAL PRESS FIT RECEPTACLE	
				dr	0° ± 2°	MM		product family	
				enr	D. INGRAM 02/13/04	scale		PwrBlade	
				chr	M. GRAY 02/13/04	1:1		code	
				appd	M. GRAY 02/13/04			213	
sheet index	revision sheet							size	
								dwg no	
								A 51940-075	
								sheet	
								3	

cage code 28516

Tous droits strictement reserves. Reproduction ou communication a des tiers interdite sous quelque forme que ce soit sans autorisation ecrite du proprietaire. Propriete de c.FCI. Droits de reproduction FCI.

All rights strictly reserved. Reproduction or issue to third parties in any form whatever is not permitted without written authority from the proprietor. Property of FCI. Copyright FCI.



1 | 2

3 |

4

PRODUCT NUMBER

51940-075--  
NOTE: 3

NOTES:

1. DIMENSIONS AND TOLERANCES ARE IN ACCORDANCE WITH ASME Y14.5M, 1994 UNLESS OTHERWISE SPECIFIED.

CONNECTOR NOTES:

② HOUSING MATERIAL: UL 94 V-0 GLASS FILLED HIGH-TEMP THERMOPLASTIC  
POWER CONTACT MATERIAL: COPPER ALLOY  
SIGNAL PIN MATERIAL: COPPER ALLOY

③ PLATING:

△ SEE ITEM 7 & 8 IN PRINT 10064183 FOR PLATING SPEC OF 51940-075; 51940-075LF RESPECTIVELY.

④ MANUFACTURER'S NAME, P/N, AND DATE CODE TO APPEAR ON THIS SURFACE.

⑤ PRODUCT SPECIFICATION GS-12-149.  
APPLICATION SPECIFICATION BUS-20-067

PCB - NOTES:

⑥ ALL HOLE DIAMETERS ARE FINISHED HOLE SIZE.

⑦ MOUNTING HOLES, WHERE APPLICABLE, ARE UNPLATED.

8.  $\varnothing 1.151 \pm 0.025$  DRILLED HOLES PLATED WITH 0.008 MIN SnPb OR Sn OVER 0.03 TO 0.08 Cu PLATING TO ACHIEVE  $\varnothing 1.02 \pm 0.07$  HOLE.

9. "DIM XXX" AND "YYY" TO BE DETERMINED BY THE CUSTOMER.

10. CONNECTOR KEEP-OUT ZONE.

11 A △ SYMBOL WILL BE NEXT TO ANY DIMENSION, VIEW, OR NOTE WHICH HAS BEEN MODIFIED WITH THE CURRENT DRAWING REVISION.

A

B

mat'l code		SEE NOTE		tolerances unless otherwise specified		CUSTOMER		 www.fciconnect.com	
lfr	ecn no.	dr	date	linear	0.X ± 0.5		COPY		title 2P + 24S + 2P VERTICAL PRESS FIT RECEPTACLE
C					0.XX ± 0.25		projection		
					0.XXX ± 0.10				
				angles	0° ± 2°				product family PwrBlade
				dr	D. INGRAM	02/13/04	scale 1:1		
				enrg	M. GRAY	02/13/04	size A		sheet 4
				chr	M. GRAY	02/13/04	dwg no 51940-075		
				appd	M. GRAY	02/13/04	sheet 4		
sheet index	revision sheet								

1 | 2

Pro/E

PDM: Rev: C

STAT: Released

Printed: Sep 26, 2008

cage code 2856

4